



Version: 1.1

Date: 16/05/2017

What's in the Box

- Yoswit 0-10V / 1-10V / potentiometer / 10V PWM (3 in 1) Constant Current Dimmer Driver
- User Menu x 1
- Warranty Card x 1

If any of the above items is missing, please contact your reseller.

Preface

Lincogn reserves the right to revise this publication and to make changes in the content hereof without obligation to notify any person or organization of such revisions or changes.

Caution

Please read all of the safety and operating instructions before using your device:

1. Air circuit breaker must be installed.
2. Only trained and skilled electricians should carry out the installation.
3. Please follow your local specific regulations of the installation and operation of electric devices.
4. Do not open the device or attempt to repair or service it.
5. Use the device in a dry location, and avoid placing it in a humid environment.
6. Do not submerge the device in liquid or attempt to clean it with liquids or solvents. To clean the device, disconnect from the power outlet and use a dry towel.
7. This device should only be used indoors.

Working with Smart Devices

This product can work alone without relying on routers and phones. In using a smartphone with our app installed, you can control devices in an instant remotely. It also changes your power schedules, ensuring that you can have a complete control of devices with smart automation wherever you are. For detailed and updated app functions, please refer to the user guide in the app.

Download the App

1. Download our app from the **a. App Store (iPhone, iPad, or iPod touch); b. Google Play (Android) or c. download the app in - apk.yoswit.com**
2. Once the app is installed, launch the app and follow the on-screen instructions.



Technical Specifications

10W / 20W



20 / 30W / 36W (IP66)



30W / 36W / 45W



60W / 80W



100W / 120W



150W / 200W



Power	Model	Output	Input	Certificate	Size	N.W	IP
10W	YO680-D30350-P-DIM	20-30V, 0-350mA	100-265VAC	CE, RoHS	140*45*27mm	0.2kg	IP20 with terminals
	YO680-D20500-P-DIM	14-20V, 0-500mA					
	YO680-D15700-P-DIM	10-15V, 0-700mA					
	YO680-D12900-P-DIM	7-12V, 0-900mA					
20W	YO680-D50350-P-DIM	30-50V, 0-350mA	100-265VAC	CE, RoHS	140*45*27mm	0.2kg	IP20 with terminals
	YO680-D35500-P-DIM	20-35V, 0-500mA					
	YO680-D25700-P-DIM	15-25V, 0-700mA					
	YO680-D20900-P-DIM	12-20V, 0-900mA					
	YO680-D50350-A-DIM	30-50V, 0-350mA			262*29*20mm	0.35kg	IP66
	YO680-D35500-A-DIM	21-35V, 0-500mA					
	YO680-D25700-A-DIM	15-25V, 0-700mA					
	YO680-D20900-A-DIM	12-20V, 0-900mA					
30W	YO680-D80350-P-DIM	45-80V, 0-350mA	100-265VAC	CE, SAA, RoHS	180*60*35mm	0.4kg	IP20 with terminals
	YO680-D60500-P-DIM	36-60V, 0-500mA					
	YO680-D45700-P-DIM	25-45V, 0-700mA					
	YO680-D36900-P-DIM	20-36V, 0-900mA					
	YO680-D301050-P-DIM	18-30V, 0-1050mA					
	YO680-D80350-A-DIM	48-80V, 0-350mA					
	YO680-D60500-A-DIM	36-60V, 0-500mA			262*29*20mm	0.35kg	IP66
	YO680-D45700-A-DIM	27-45V, 0-700mA					
	YO680-D36900-A-DIM	22-36V, 0-900mA					
	YO680-D301050-A-DIM	18-30V, 0-1050mA					
	YO680-D75500-P-DIM	45-75V, 0-500mA					
	YO680-D55700-P-DIM	30-55V, 0-700mA					
36W	YO680-D42900-P-DIM	25-42V, 0-900mA	100-265VAC	CE, RoHS	180*60*35mm	0.4kg	IP20 with terminals
	YO680-D361050-P-DIM	20-36V, 0-1050mA					
	YO680-D251400-P-DIM	15-25V, 0-1400mA					
	YO680-D120350-A-DIM	72-120V, 0-350mA					
	YO680-D75500-A-DIM	45-75V, 0-500mA					
	YO680-D55700-A-DIM	33-55V, 0-700mA			262*29*20mm	0.35kg	IP66
	YO680-D42900-A-DIM	25-42V, 0-900mA					
	YO680-D361050-A-DIM	20-36V, 0-1050mA					
	YO680-D251400-A-DIM	15-25V, 0-1400mA					
	YO680-D120350-P-DIM	70-120V, 0-350mA					
45W	YO680-D90500-P-DIM	55-90V, 0-500mA	100-265VAC	CE, RoHS	180*60*35mm	0.4kg	IP20 with terminals
	YO680-D65700-P-DIM	40-65V, 0-700mA					
	YO680-D50900-P-DIM	30-50V, 0-900mA					
	YO680-D451050-P-DIM	28-45V, 0-1050mA					
	YO680-D321400-P-DIM	20-32V, 0-1400mA					
	YO680-D120500-A-DIM	70-120V, 0-500mA					
60W	YO680-D85700-A-DIM	50-85V, 0-700mA	100-265VAC	CE, RoHS	200*70*46mm	0.95kg	IP66
	YO680-D70900-A-DIM	40-70V, 0-900mA					
	YO680-D601050-A-DIM	36-60V, 0-1050mA					
	YO680-D421400-A-DIM	25-42V, 0-1400mA					
	YO680-D361750-A-DIM	20-36V, 0-1750mA					
	YO680-D302100-A-DIM	18-30V, 0-2100mA					
	YO680-D85900-A-DIM	50-85V, 0-900mA					
	YO680-D751050-A-DIM	45-75V, 0-1050mA					
	YO680-D551400-A-DIM	35-55V, 0-1400mA					
	YO680-D451750-A-DIM	28-45V, 0-1750mA					
80W	YO680-D362100-A-DIM	20-36V, 0-2100mA	100-265VAC	CE, RoHS	200*70*46mm	0.95kg	IP66
	YO680-D302500-A-DIM	18-30V, 0-2500mA					
	YO680-D150700-A-DIM	80-150V, 0-700mA					
	YO680-D110900-A-DIM	60-110V, 0-900mA					
	YO680-D901050-A-DIM	55-90V, 0-1050mA					
	YO680-D701400-A-DIM	45-70V, 0-1400mA					
	YO680-D601750-A-DIM	36-60V, 0-1750mA					
	YO680-D482100-A-DIM	30-48V, 0-2100mA					
	YO680-D402500-A-DIM	25-40V, 0-2500mA					
	YO680-D353000-A-DIM	21-35V, 0-3000mA					
100W	YO680-D130900-A-DIM	70-130V, 0-900mA	100-265VAC	CE, RoHS	230*70*46mm	1.1kg	IP66
	YO680-D1151050-A-DIM	60-115V, 0-1050mA					
	YO680-D851400-A-DIM	50-85V, 0-1400mA					
	YO680-D701750-A-DIM	40-70V, 0-1750mA					
	YO680-D552100-A-DIM	33-55V, 0-2100mA					
	YO680-D502450-A-DIM	30-50V, 0-2450mA					
	YO680-D422800-A-DIM	25-42V, 0-2800mA					
	YO680-D363500-A-DIM	20-36V, 0-3500mA					
120W	YO680-D130900-A-DIM	70-130V, 0-900mA	100-265VAC	CE, RoHS	230*70*46mm	1.1kg	IP66
	YO680-D1151050-A-DIM	60-115V, 0-1050mA					
	YO680-D851400-A-DIM	50-85V, 0-1400mA					
	YO680-D701750-A-DIM	40-70V, 0-1750mA					
	YO680-D552100-A-DIM	33-55V, 0-2100mA					
	YO680-D502450-A-DIM	30-50V, 0-2450mA					
	YO680-D422800-A-DIM	25-42V, 0-2800mA					
	YO680-D363500-A-DIM	20-36V, 0-3500mA					

Power	Model	Output	Input	Certificate	Size	N.W	IP
150W	YO680-D210700-A-DIM	140-210V, 0-700mA	100-265VAC	CE, RoHS	256*78*47mm	1.6kg	IP66
	YO680-D170900-A-DIM	100-170V, 0-900mA					
	YO680-D1401050-A-DIM	90-140V, 0-1050mA					
	YO680-D851750-A-DIM	50-85V, 0-1750mA					
	YO680-D702100-A-DIM	45-70V, 0-2100mA					
	YO680-D602500-A-DIM	40-60V, 0-2500mA					
	YO680-D502800-A-DIM	30-50V, 0-2800mA					
	YO680-D503100-A-DIM	30-50V, 0-3100mA					
	YO680-D423500-A-DIM	25-42V, 0-3500mA					
200W	YO680-D364200-A-DIM	24-36V, 0-4200mA	100-265VAC	CE, RoHS	256*78*47mm	1.6kg	IP66
	YO680-D210900-A-DIM	140-210V, 0-900mA					
	YO680-D1901050-A-DIM	120-190V, 0-1050mA					
	YO680-D1101750-A-DIM	70-110V, 0-1750mA					
	YO680-D902100-A-DIM	55-90V, 0-2100mA					
	YO680-D802500-A-DIM	50-80V, 0-2500mA					
	YO680-D702800-A-DIM	45-70V, 0-2800mA					
	YO680-D653100-A-DIM	40-65V, 0-3100mA					
YO680-D366500-A-DIM	24-36V, 0-6500mA						

General

Product Name	Yoswit 0-10V / 1-10V / potentiometer / 10V PWM (3 in 1) Constant Current Dimmer Driver
Revision	V1
Manufacturer	Designed by Yoswit in Hong Kong. Assembled in China
Warranty	2 years, limited (*Details available on the Limited Warranty and Limitations sections of this datasheet)

Mechanical

Surface Materials	V0 flame-resistant PC +ABS
Operating Temperature Range	10°C to 50°C
Operating Humidity Range	0-90% relative humidity, non-condensing
Storage Conditions	-20°C to 60°C

Introduction

The Yoswit Dimmable LED Driver provides the correct power to the LED Board so that it can function and also allows the lumen output to be dimmed to create mood, ambience and to save energy.

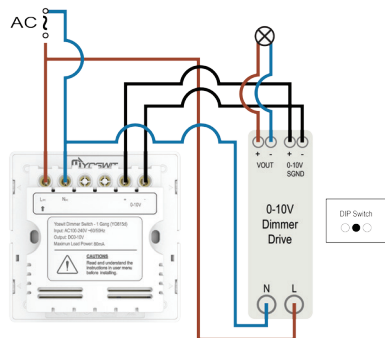
Installation

Warning

Check the label and ensure the transformer has the proper input voltage and wattage for the job. Check the wire markings to ensure they match the wiring diagram on this installation guide.



1. Select a suitable location capable of supporting the weight of the transformer. Use the two keyholes in the transformer case. It is recommended that the transformer be mounting vertically with the wiring compartment pointing down.
2. Remove the wiring compartment knockouts and install strain reliefs. With power turned 0, route the input wires through a strain relief and connect L wire to red and N wire to blue. for all wire connections use only UL listed wire nuts and connectors of suitable size and type. The transformer case MUST be grounded in accordance with the N.E.C. Connect the ground wire to the transformer red wire.



Warning

To reduce risk of electrical shock, unit shall be properly grounded in accordance with local regulations or codes. Failure to connect the ground wire will result in an unsafe installation that could lead to personal injury.



3. Bring the wires of the light fixture through the other open knockout and connect them to the transformer wires - positive to the red wire (+) and negative to blue wire (-).