



Version: 1.1

Date: 16/05/2017

What's in the Box

Yoswit Triac Dimmable Constant Current Driver x 1

User Menu x 1

Warranty Card x 1

If any of the above items is missing, please contact your reseller.

Preface

Lincogn reserves the right to revise this publication and to make changes in the content hereof without obligation to notify any person or organization of such revisions or changes.

Caution
Please read all of the safety and operating instructions before using your device:

1. Air circuit breaker must be installed.
2. Only trained and skilled electricians should carry out the installation.
3. Please follow your local specific regulations of the installation and operation of electric devices.
4. Do not open the device or attempt to repair or service it.
5. Use the device in a dry location, and avoid placing it in a humid environment.
6. Do not submerge the device in liquid or attempt to clean it with liquids or solvents. To clean the device, disconnect from the power outlet and use a dry towel.
7. This device should only be used indoors.

Working with Smart Devices

This product can work alone without relying on routers and phones. In using a smartphone with our app installed, you can control devices in an instant remotely. It also changes your power schedules, ensuring that you can have a complete control of devices with smart automation wherever you are. For detailed and updated app functions, please refer to the user guide in the app.

Download the App

1. Download our app from the **a. App Store (iPhone, iPad, or iPod touch)**; **b. Google Play (Android)** or **c. download the app in - apk.yoswit.com**
2. Once the app is installed, launch the app and follow the on-screen instructions.


Technical Specifications
10W / 20W

145mm


30W / 36W / 45W

180mm


60W / 80W

200mm


Technical Specifications

Power	Model	Output	Input	Certificate	Size	N.W	IP		
10W	YO680-D36250-TD	22-36V, 250mA	180-240 VAC	SAA, RoHS	145*55*20mm	0.2kg	IP20 with terminals		
	YO680-D42300-TD	26-42V, 300mA							
	YO680-D30350-TD	18-30V, 350mA							
	YO680-D20500-TD	12-20V, 500mA	100-130 VAC						
	YO680-D40250-TDL	24-40V, 250mA							
	YO680-D35350-TDL	20-35V, 350mA							
	YO680-D20500-TDL	12-20V, 500mA							
YO680-D15700-TDL	9-15V, 700mA	180-240 VAC	CE, RoHS						
YO680-D50350-TD	25-50V, 350mA								
YO680-D35500-TD	18-35V, 500mA								
YO680-D25700-TD	13-25V, 700mA								
YO680-D20900-TD	10-20V, 900mA								
YO680-D50350-TDL	30-50V, 350mA			100-130 VAC	ETL, cETL, FCC, RoHS				
YO680-D35500-TDL	21-35V, 500mA								
30W	YO680-D25700-TDL	15-25V, 700mA	180-240 VAC	TUV-GS, CE, CB, SAA, RoHS	180*60*35mm	0.45kg	IP20 with terminals		
	YO680-D20900-TDL	12-20V, 900mA							
	YO680-D80350-TD	50-80V, 350mA							
	YO680-D60500-TD	35-60V, 500mA							
	YO680-D45700-TD	25-45V, 700mA							
	YO680-D36900-TD	20-36V, 900mA							
	YO680-D321050-TD	18-32V, 1050mA							
	YO680-D56500-TDL	32-56V, 500mA						100-130 VAC	ETL, FCC, RoHS
	YO680-D45700-TDL	25-45V, 700mA							
	YO680-D36900-TDL	20-36V, 900mA							
YO680-D251200-TDL	15-25V, 1200mA								
36W	YO680-D55700-TD	30-55V, 700mA	180-240 VAC	TUV-GS, CE, CB, SAA, RoHS	180*60*35mm	0.45kg	IP20 with terminals		
	YO680-D42900-TD	25-42V, 900mA							
	YO680-D361050-TD	20-36V, 1050mA							
	YO680-D251400-TD	15-25V, 1400mA							
	YO680-D201750-TD	12-20V, 1750mA							
	YO680-D56700-TDL	32-56V, 700mA						100-130 VAC	ETL, FCC, RoHS
	YO680-D42840-TDL	25-42V, 840mA							
	YO680-D42900-TDL	25-42V, 900mA							
	YO680-D361050-TDL	20-36V, 1050mA							
	YO680-D251400-TDL	15-25V, 1400mA						100-130 VAC	ETL, cETL, FCC, RoHS
YO680-D201750-TDL	12-20V, 1750mA								
45W	YO680-D90500-TD	55-90V, 500mA	180-240 VAC	TUV-GS, CE, CB, SAA, RoHS	180*60*35mm	0.45kg	IP20 with terminals		
	YO680-D65700-TD	40-65V, 700mA							
	YO680-D56830-TD	30-56V, 830mA							
	YO680-D50900-TD	30-50V, 900mA							
	YO680-D451050-TD	25-45V, 1050mA							
	YO680-D321400-TD	18-32V, 1400mA						100-130 VAC	ETL, FCC, RoHS
	YO680-D56840-TDL	32-56V, 840mA							
	YO680-D50900-TDL	30-50V, 900mA							
	YO680-D451050-TDL	25-45V, 1050mA							
	YO680-D421100-TDL	25-42V, 1100mA						100-130 VAC	ETL, cETL, FCC, RoHS
YO680-D361200-TDL	20-36V, 1200mA								
YO680-D321400-TDL	18-32V, 1400mA	180-240 VAC	TUV-GS, CE, CB, SAA, RoHS						
YO680-D251750-TDL	15-25V, 1750mA								
YO680-D202100-TDL	12-20V, 2100mA								
YO680-D70830-TD	40-70V, 830mA								
YO680-D70900-TD	40-70V, 900mA								
YO680-D601050-TD	35-60V, 1050mA								
YO680-D421400-TD	25-42V, 1400mA								
YO680-D421600-TD	25-42V, 1600mA								
YO680-D361600-TD	20-36V, 1750mA								
YO680-D361750-TD	20-36V, 1750mA								
60W	YO680-D302100-TD	18-30V, 2100mA	180-240 VAC	TUV-GS, CE, CB, SAA, RoHS	200*70*46mm	0.95kg	IP66		
	YO680-D56900-TDL	32-56V, 900mA							
	YO680-D561050-TDL	32-56V, 1050mA							
	YO680-D451400-TDL	25-45V, 1400mA							
	YO680-D361750-TDL	20-36V, 1750mA							
	YO680-D302100-TDL	18-30V, 2100mA						100-130 VAC	ETL, FCC, RoHS
	YO680-D252500-TDL	15-25V, 2500mA							
	YO680-D202800-TDL	12-20V, 2800mA							
	YO680-D203100-TDL	12-20V, 3100mA							

Power	Model	Output	Input	Certificate	Size	N.W	IP
80W	YO680-D85900-TD	50-85V, 900mA	180-240 VAC	TUV-GS, CE, CB, SAA, RoHS	200*70*46mm	0.95kg	IP66
	YO680-D751050-TD	45-75V, 1050mA					
	YO680-D551400-TD	30-55V, 1400mA					
	YO680-D451750-TD	25-45V, 1750mA					
	YO680-D362100-TD	20-36V, 2100mA					
	YO680-D302500-TD	18-30V, 2500mA					
	YO680-D451750-TDL	25-45V, 1750mA	100-130 VAC	ETL, cETL, FCC, RoHS			
	YO680-D421750-TDL	25-42V, 1750mA					
	YO680-D561400-TDL	32-56V, 1400mA					
	YO680-D362100-TDL	20-36V, 2100mA					
	YO680-D302500-TDL	18-30V, 2500mA					
	YO680-D252800-TDL	15-25V, 2800mA					
YO680-D253100-TDL	15-25V, 3100mA	ETL, cETL, FCC, RoHS					

General

Product Name	Yoswit Triac Dimmable Constant Current Driver
Revision	V1
Compliance	CE, SAA, RoHS
Manufacturer	Designed by Yoswit in Hong Kong. Assembled in China.

Mechanical

Surface Materials	V0 flame-resistant PC +ABS
Storage Conditions	-20°C to 60°C
Operating Environment	Indoors
Ingress Protection (IP)	20

Introduction

The Yoswit Dimmable LED Driver provides the correct power to the LED Board so that it can function and also allows the lumen output to be dimmed to create mood, ambience and to save energy.

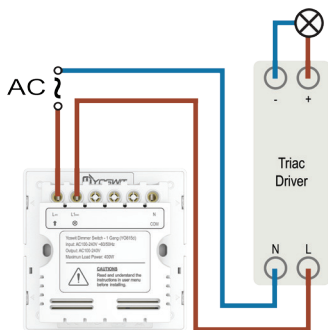
Installation

Warning

Check the label and ensure the transformer has the proper input voltage and wattage for the job. Check the wire markings to ensure they match the wiring diagram on this installation guide.



1. Select a suitable location capable of supporting the weight of the transformer. Use the two keyholes in the transformer case. It is recommended that the transformer be mounting vertically with the wiring compartment pointing down.
2. Remove the wiring compartment knockouts and install strain reliefs. With power turned 0, route the input wires through a strain relief and connect L wire to red and N wire to blue. for all wire connections use only UL listed wire nuts and connectors of suitable size and type. The transformer case MUST be grounded in accordance with the N.E.C. Connect the ground wire to the transformer red wire.



Warning

To reduce risk of electrical shock, unit shall be properly grounded in accordance with local regulations or codes. Failure to connect the ground wire will result in an unsafe installation that could lead to personal injury.



3. Bring the wires of the light fixture through the other open knockout and connect them to the transformer wires - positive to the red wire (+) and negative to blue wire (-).