



Version: 1.1

Date: 16/05/2017

What's in the Box

Yoswit Triac Dimmable Constant Voltage Driver x 1

User Menu x 1

Warranty Card x 1

If any of the above items is missing, please contact your reseller.

Preface

Lincogn reserves the right to revise this publication and to make changes in the content hereof without obligation to notify any person or organization of such revisions or changes.

Caution

Please read all of the safety and operating instructions before using your device:

1. Air circuit breaker must be installed.
2. Only trained and skilled electricians should carry out the installation.
3. Please follow your local specific regulations of the installation and operation of electric devices.
4. Do not open the device or attempt to repair or service it.
5. Use the device in a dry location, and avoid placing it in a humid environment.
6. Do not submerge the device in liquid or attempt to clean it with liquids or solvents. To clean the device, disconnect from the power outlet and use a dry towel.
7. This device should only be used indoors.

Working with Smart Devices

This product can work alone without relying on routers and phones. In using a smartphone with our app installed, you can control devices in an instant remotely. It also changes your power schedules, ensuring that you can have a complete control of devices with smart automation wherever you are. For detailed and updated app functions, please refer to the user guide in the app.

Download the App

1. Download our app from the **a. App Store (iPhone, iPad, or iPod touch); b. Google Play (Android) or c. download the app in - apk.yoswit.com**
2. Once the app is installed, launch the app and follow the on-screen instructions.



Technical Specifications

10W / 20W



30W / 36W / 45W



60W / 80W



Technical Specifications

Power	Model	Output	Input	Certificate	Size	N.W	IP
10W	YO680-D12010-TD	12V, 0.83A	180-240 VAC	CE, SAA, RoHS	145*55*20mm	0.2kg	IP20 with terminals
	YO680-D24010-TD	24V, 0.42A					
	YO680-D36010-TD	36V, 0.28A					
	YO680-D48010-TD	48V, 0.21A	100-130 VAC				
	YO680-D12010-TDL	12V, 0.83A					
	YO680-D24010-TDL	24V, 0.42A					
20W	YO680-D36010-TDL	36V, 0.28A	180-240 VAC	ETL, cETL, FCC, RoHS	145*55*20mm	0.2kg	IP20 with terminals
	YO680-D48010-TDL	48V, 0.21A					
	YO680-D12020-TD	12V, 1.67A					
	YO680-D24020-TD	24V, 0.83A	100-130 VAC				
	YO680-D36020-TD	36V, 0.56A					
	YO680-D48020-TD	48V, 0.42A					
30W	YO680-D12020-TDL	12V, 1.67A	180-240 VAC	TUV-GS, CE, CB, SAA, RoHS	180*60*35mm	0.45kg	IP20 with terminals
	YO680-D24020-TDL	24V, 0.83A					
	YO680-D36020-TDL	36V, 0.56A					
	YO680-D12030-TD	12V, 2.5A	100-130 VAC				
	YO680-D24030-TD	24V, 1.25A					
	YO680-D36030-TD	36V, 0.83A					
36W	YO680-D48030-TD	48V, 0.63A	180-240 VAC	ETL, cETL, FCC, RoHS	180*60*35mm	0.45kg	IP20 with terminals
	YO680-D12030-TDL	12V, 2.5A					
	YO680-D24030-TDL	24V, 1.25A					
	YO680-D36030-TDL	36V, 0.83A	100-130 VAC				
	YO680-D48030-TDL	48V, 0.63A					
	YO680-D12036-TD	12V, 3A					
45W	YO680-D24036-TD	24V, 1.5A	180-240 VAC	TUV-GS, CE, CB, SAA, RoHS	180*60*35mm	0.45kg	IP20 with terminals
	YO680-D36036-TD	36V, 1A					
	YO680-D48036-TD	48V, 0.75A					
	YO680-D12036-TDL	12V, 3A	100-130 VAC				
	YO680-D24036-TDL	24V, 1.5A					
	YO680-D36036-TDL	36V, 1A					
60W	YO680-D48036-TDL	48V, 0.75A	180-240 VAC	ETL, cETL, FCC, RoHS	180*60*35mm	0.45kg	IP20 with terminals
	YO680-D12045-TD	12V, 3.75A					
	YO680-D24045-TD	24V, 1.87A					
	YO680-D36045-TD	36V, 1.25A	100-130 VAC				
	YO680-D48045-TD	48V, 0.94A					
	YO680-D12045-TDL	12V, 3.75A					
80W	YO680-D24045-TDL	24V, 1.87A	180-240 VAC	TUV-GS, CE, CB, SAA, RoHS	200*70*46mm	0.95kg	IP66
	YO680-D36045-TDL	36V, 1.25A					
	YO680-D48045-TDL	48V, 0.94A					
	YO680-D12060-TD	12V, 5A	100-130 VAC				
	YO680-D24060-TD	24V, 2.5A					
	YO680-D36060-TD	36V, 1.67A					
80W	YO680-D48060-TD	48V, 1.25A	180-240 VAC	ETL, cETL, FCC, CCC, RoHS	200*70*46mm	0.95kg	IP66
	YO680-D12060-TDL	12V, 5A					
	YO680-D24060-TDL	24V, 2.5A					
	YO680-D36060-TDL	36V, 1.67A	100-130 VAC				
	YO680-D48060-TDL	48V, 1.25A					
	YO680-D12080-TD	12V, 6.67A					
80W	YO680-D24080-TD	24V, 3.33A	180-240 VAC	TUV-GS, CE, CB, SAA, CCC, RoHS	200*70*46mm	0.95kg	IP66
	YO680-D36080-TD	36V, 2.22A					
	YO680-D48080-TD	48V, 1.67A					
	YO680-D12080-TDL	12V, 6.67A	100-130 VAC				
	YO680-D24080-TDL	24V, 3.33A					
	YO680-D36080-TDL	36V, 2.22A					
YO680-D48080-TDL	48V, 1.67A	ETL, FCC, CCC, RoHS					

General

Product Name	Yoswit Triac Dimmable Constant Voltage Driver
Revision	V1
Compliance	CE, SAA, RoHS
Manufacturer	Designed by Yoswit in Hong Kong. Assembled in China.

Mechanical

Surface Materials	V0 flame-resistant PC +ABS
Storage Conditions	-20°C to 60°C
Operating Environment	Indoors
Ingress Protection (IP)	20

Introduction

The Yoswit Dimmable LED Driver provides the correct power to the LED Board so that it can function and also allows the lumen output to be dimmed to create mood, ambience and to save energy.

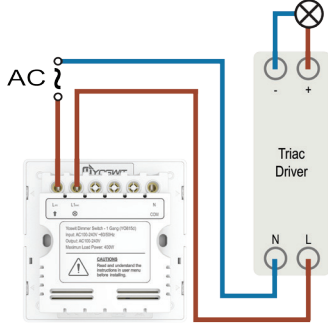
Installation

Warning

Check the label and ensure the transformer has the proper input voltage and wattage for the job. Check the wire markings to ensure they match the wiring diagram on this installation guide.



1. Select a suitable location capable of supporting the weight of the transformer. Use the two keyholes in the transformer case. It is recommended that the transformer be mounting vertically with the wiring compartment pointing down.
2. Remove the wiring compartment knockouts and install strain reliefs. With power turned 0, route the input wires through a strain relief and connect L wire to red and N wire to blue. for all wire connections use only UL listed wire nuts and connectors of suitable size and type. The transformer case **MUST** be grounded in accordance with the N.E.C. Connect the ground wire to the transformer red wire.



Warning

To reduce risk of electrical shock, unit shall be properly grounded in accordance with local regulations or codes. Failure to connect the ground wire will result in an unsafe installation that could lead to personal injury.



3. Bring the wires of the light fixture through the other open knockout and connect them to the transformer wires - positive to the red wire (+) and negative to blue wire (-).