



Version: 1.1

Date: 16/05/2017

**What's in the Box**

- Yoswit Triac Dimmable Constant Voltage Driver PWM output x 1
- User Menu x 1
- Warranty Card x 1

If any of the above items is missing, please contact your reseller.

**Preface**

Lincogn reserves the right to revise this publication and to make changes in the content hereof without obligation to notify any person or organization of such revisions or changes.

**Caution**

**Please read all of the safety and operating instructions before using your device:**

1. Air circuit breaker must be installed.
2. Only trained and skilled electricians should carry out the installation.
3. Please follow your local specific regulations of the installation and operation of electric devices.
4. Do not open the device or attempt to repair or service it.
5. Use the device in a dry location, and avoid placing it in a humid environment.
6. Do not submerge the device in liquid or attempt to clean it with liquids or solvents. To clean the device, disconnect from the power outlet and use a dry towel.
7. This device should only be used indoors.

**Working with Smart Devices**

This product can work alone without relying on routers and phones. In using a smartphone with our app installed, you can control devices in an instant remotely. It also changes your power schedules, ensuring that you can have a complete control of devices with smart automation wherever you are. For detailed and updated app functions, please refer to the user guide in the app.

**Download the App**

1. Download our app from the **a. App Store (iPhone, iPad, or iPod touch); b. Google Play (Android) or c. download the app in - [apk.yoswit.com](http://apk.yoswit.com)**
2. Once the app is installed, launch the app and follow the on-screen instructions.



**Technical Specifications**

**8W**



**15W**



**25W**



**50W**



**60W**



**80W / 96W-100W / 120W**



**150W-200W**



Power	Model	Output	Input	Certificate	Size	N.W	IP
8W	YO680-D12008-TD	12V, 0.67A	180-240 VAC	CE	80*36*23mm	0.1kg	IP20 with terminals
	YO680-D24008-TD	24V, 0.33A	100-130 VAC	-			
	YO680-D12008-TD	12V, 0.67A	180-240 VAC	CE			
	YO680-D24008-TD	24V, 0.33A	100-130 VAC	-			
15W	YO680-D12015-TD	12V, 1.25A	180-240 VAC	CE	95*40*25mm	0.13kg	IP20 with terminals
	YO680-D24015-TD	24V, 0.62A	100-130 VAC	-			
	YO680-D12015-TD	12V, 1.25A	180-240 VAC	CE, RoHS			
	YO680-D24015-TD	24V, 0.62A	100-130 VAC	ELT, cETL, FCC, RoHS			
25W	YO680-D12025-TD	12V, 2.08A	180-240 VAC	CE, RoHS	155*54*20mm	0.21kg	IP20 with terminals
	YO680-D24025-TD	24V, 1.04A	100-130 VAC	ELT, cETL, FCC, RoHS			
	YO680-D12025-TD	12V, 2.08A	180-240 VAC	CE, RoHS			
	YO680-D24025-TD	24V, 1.04A	100-130 VAC	ELT, cETL, FCC, RoHS			
50W	YO680-D12050-TD	12V, 4.17A	180-240 VAC	CE, RoHS	178*61*24mm	0.35kg	IP20 with terminals
	YO680-D24050-TD	24V, 2.08A	100-130 VAC	ELT, cETL, FCC, RoHS			
	YO680-D12050-TD	12V, 4.17A	180-240 VAC	CE, RoHS			
	YO680-D24050-TD	24V, 2.08A	100-130 VAC	ELT, cETL, FCC, RoHS			
60W	YO680-D12060-TD	12V, 5A	180-240 VAC	ELT, cETL, FCC, RoHS	180*60*35mm	0.45kg	IP20 with terminals
	YO680-D24060-TD	24V, 2.5A	100-130 VAC	CE			
	YO680-D12075-TD	12V, 5A	180-240 VAC	CE, RoHS			
	YO680-D24075-TD	24V, 2.5A	100-130 VAC	ELT, cETL, FCC, RoHS			
80W	YO680-D12080-TD	12V, 6.67A	180-240 VAC	CE, RoHS	230*70*46mm	1.1kg	IP66
	YO680-D24080-TD	24V, 3.33A	100-130 VAC	ELT, cETL, FCC, RoHS			
	YO680-D12080-TD	12V, 6.67A	180-240 VAC	CE, RoHS			
	YO680-D24080-TD	24V, 3.33A	100-130 VAC	ELT, cETL, FCC, RoHS			
	YO680-D12080-TDL	12V, 6.66A	180-240 VAC	CE, SAA, RoHS			
	YO680-D24080-TDL	24V, 3.33A	100-130 VAC	ELT, cETL, FCC, RoHS			
	YO680-D12080-TDL	12V, 6.67A	180-240 VAC	CE, SAA, RoHS			
	YO680-D24080-TDL	24V, 3.33A	100-130 VAC	ELT, cETL, FCC, RoHS			
96W - 100W	YO680-D12100-TD	12V, 0.83A	180-240 VAC	CE, SAA, RoHS	230*70*46mm	1.1kg	IP66
	YO680-D24100-TD	24V, 4.17A	100-130 VAC	ELT, cETL, FCC, RoHS			
	YO680-D12100-TD	12V, 0.83A	180-240 VAC	CE, SAA, RoHS			
	YO680-D24100-TD	24V, 4.17A	100-130 VAC	ELT, cETL, FCC, RoHS			
	YO680-D12100-TDL	12V, 0.83A	180-240 VAC	CE, SAA, RoHS			
	YO680-D24100-TDL	24V, 4.17A	100-130 VAC	ELT, cETL, FCC, RoHS			
	YO680-D12100-TDL	12V, 10A	180-240 VAC	CE, SAA, RoHS			
	YO680-D24100-TDL	24V, 5A	100-130 VAC	ELT, cETL, FCC, RoHS			
120W	YO680-D12120-TD	12V, 10A	180-240 VAC	CE, SAA, RoHS	230*70*46mm	1.1kg	IP66
	YO680-D24120-TD	24V, 5A	100-130 VAC	ELT, cETL, FCC, RoHS			
	YO680-D12120-TDL	12V, 10A	180-240 VAC	CE, SAA, RoHS			
	YO680-D24120-TDL	24V, 5A	100-130 VAC	ELT, cETL, FCC, RoHS			
150W	YO680-D12150-TD	12V, 12.5A	180-240 VAC	CE, SAA, RoHS	256*78*47mm	1.5kg	IP66
	YO680-D24150-TD	24V, 6.25A	100-130 VAC	ELT, cETL, FCC, RoHS			
	YO680-D12150-TD	12V, 12.5A	180-240 VAC	CE, SAA, RoHS			
	YO680-D24150-TD	24V, 6.25A	100-130 VAC	ELT, cETL, FCC, RoHS			
	YO680-D12150-TDL	12V, 12.5A	180-240 VAC	CE, SAA, RoHS			
	YO680-D24150-TDL	24V, 6.25A	100-130 VAC	ELT, cETL, FCC, RoHS			
	YO680-D12150-TDL	12V, 12.5A	180-240 VAC	CE, SAA, RoHS			
	YO680-D24150-TDL	24V, 6.25A	100-130 VAC	ELT, cETL, FCC, RoHS			

Power	Model	Output	Input	Certificate	Size	N.W	IP
200W	YO680-D12200-TD	12V, 16.67A	180-240 VAC	CE, SAA, RoHS	256*78*47mm	1.5kg	IP66
	YO680-D24200-TD	24V, 8.3A					
	YO680-D36200-TD	36V, 5.6A					
	YO680-D48200-TD	48V, 4.17A	100-130 VAC	ELT, cETL, FCC, RoHS			
	YO680-D12200-TDL	12V, 16.67A					
	YO680-D24200-TDL	24V, 8.3A					
	YO680-D36200-TDL	36V, 5.6A					
YO680-D48200-TDL	48V, 4.17A	ELT, FCC, RoHS					

## General

Product Name	Yoswit Triac Dimmable Constant Voltage Driver PWM output
Revision	V1
Manufacturer	Designed by Yoswit in Hong Kong. Assembled in China
Warranty	2 years, limited (*Details available on the Limited Warranty and Limitations sections of this datasheet)

## Mechanical

Surface Materials	V0 flame-resistant PC +ABS
Operating Temperature Range	10°C to 50°C
Operating Humidity Range	0-90% relative humidity, non-condensing
Storage Conditions	-20°C to 60°C

## Introduction

The Yoswit Dimmable LED Driver provides the correct power to the LED Board so that it can function and also allows the lumen output to be dimmed to create mood, ambience and to save energy.

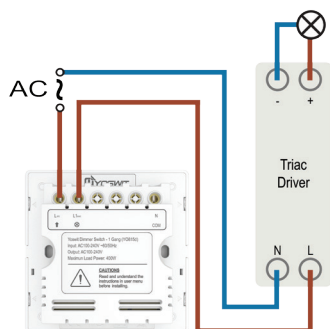
## Installation

### Warning

Check the label and ensure the transformer has the proper input voltage and wattage for the job. Check the wire markings to ensure they match the wiring diagram on this installation guide.



1. Select a suitable location capable of supporting the weight of the transformer. Use the two keyholes in the transformer case. It is recommended that the transformer be mounting vertically with the wiring compartment pointing down.
2. Remove the wiring compartment knockouts and install strain reliefs. With power turned 0, route the input wires through a strain relief and connect L wire to red and N wire to blue. for all wire connections use only UL listed wire nuts and connectors of suitable size and type. The transformer case MUST be grounded in accordance with the N.E.C. Connect the ground wire to the transformer red wire.



### Warning

To reduce risk of electrical shock, unit shall be properly grounded in accordance with local regulations or codes. Failure to connect the ground wire will result in an unsafe installation that could lead to personal injury.



3. Bring the wires of the light fixture through the other open knockout and connect them to the transformer wires - positive to the red wire ( + ) and negative to blue wire ( - ).